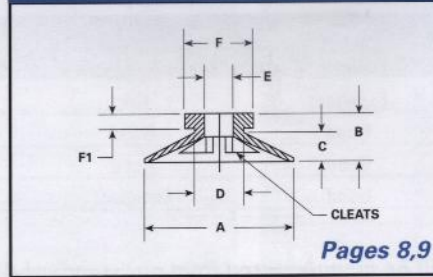
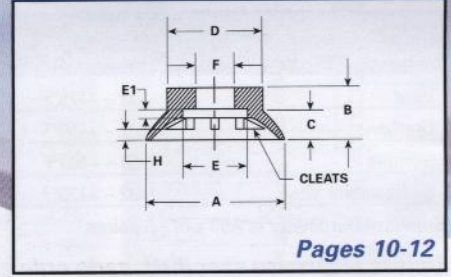


# Vacuum Cups

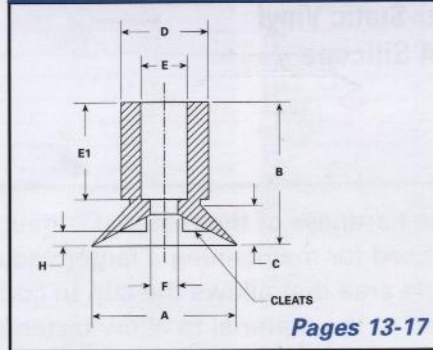
**Style A**



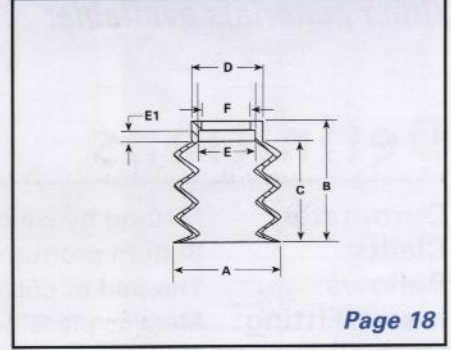
**Style B**



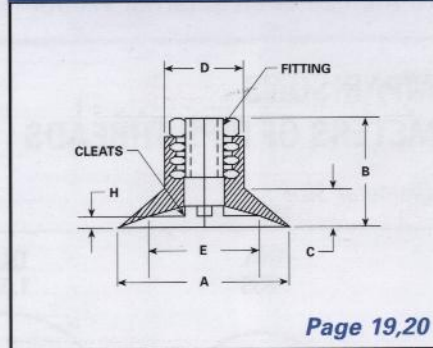
**Style C**



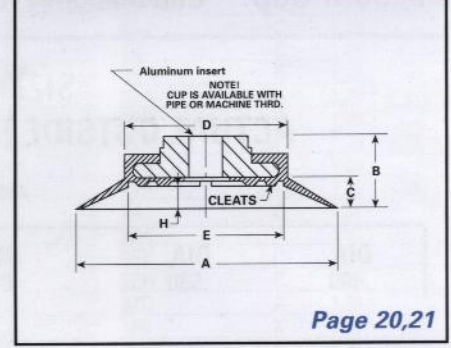
**Style D**



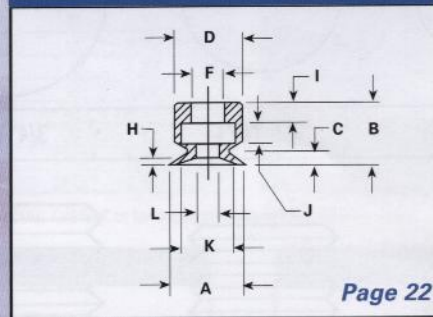
**Style E**



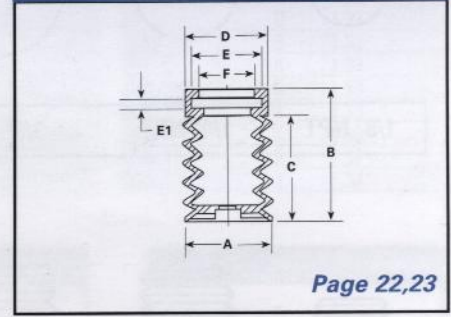
**Style F**



**Style G**



**Style H**

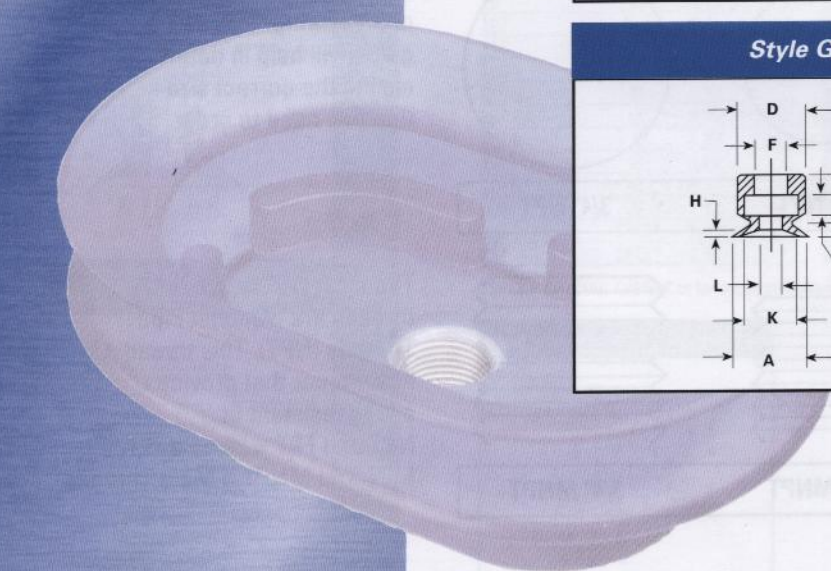


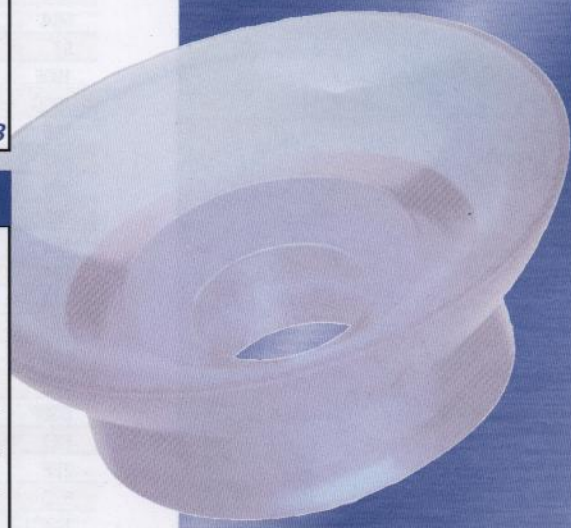
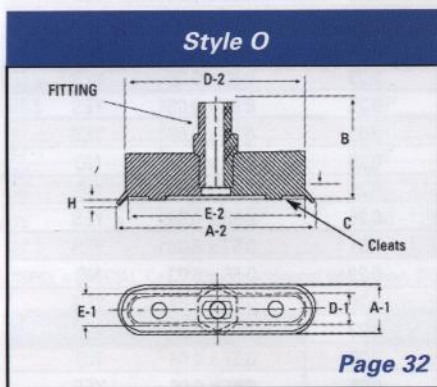
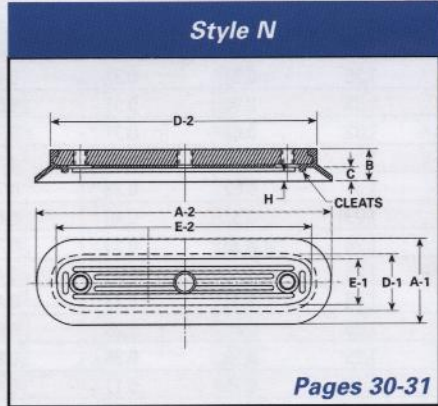
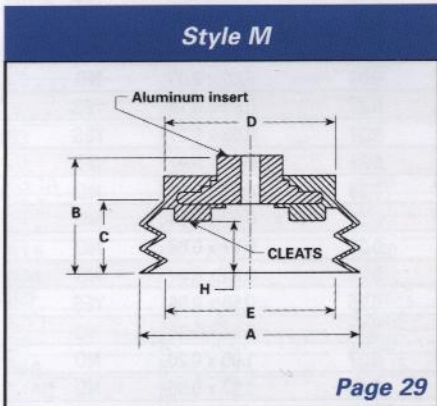
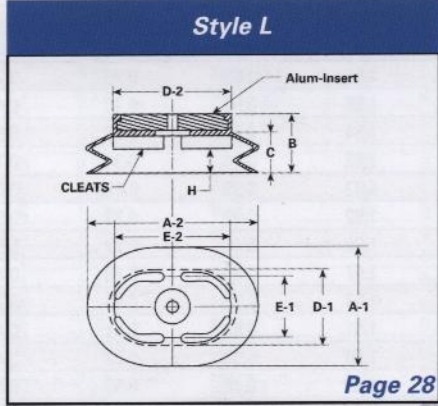
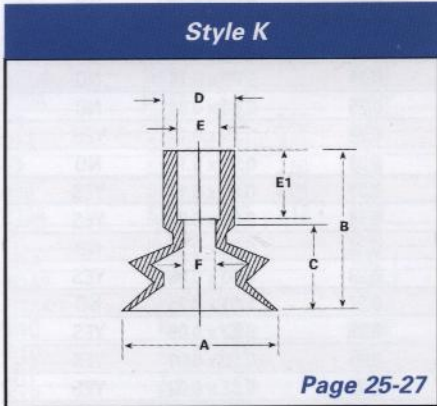
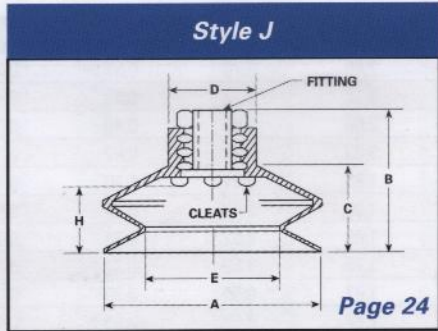
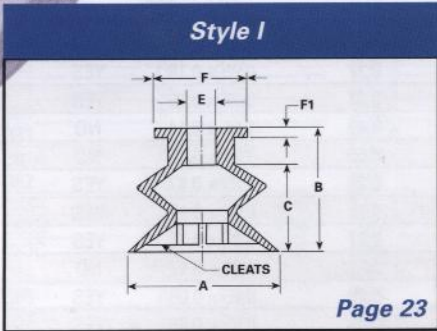
**Need a custom vacuum cup made?**

**Vi-Cas can duplicate your existing part or work from a drawing without tooling or mold charges.**

**By only charging a small set-up fee and adding your part to our product line we can save you the expense of a mold.**

**Adapters are available. See page 36 for listing.**





**Many cups can be provided with filters.  
Please call for specific applications.**